

## MATERIAL

Black anodised aluminium.

Marked "MAGNETIC" and graphic symbol, laser engraved.

## PERMANENT MAGNETIC ELEMENT

(AlNiCo) Aluminium-nickel-cobalt with a high attractive power, to keep metal particles in oil.

## STANDARD EXECUTIONS

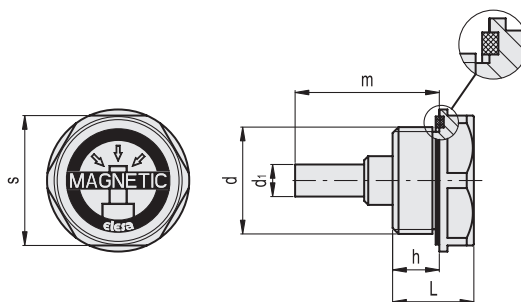
- **TMB:** NBR synthetic rubber flat packing ring. Max working temperature 100°C.
- **TMB-HT:** FKM synthetic rubber flat packing ring. Max working temperature 180°C.

## TECHNICAL DATA

The positioning of the packing ring in its housing guarantees a high tightening torque, therefore the plug can be used even in pressurised reservoirs.



ELESA Original design



TMB		TMB-HT		d	h	s	L	d1	m	△
Code	Description	Code	Description							
59701	TMB.M14x1,5	59751	TMB-HT.M14x1,5	M14x1.5	9	19	16.5	6	30	14
59703	TMB.M16x1,5	59753	TMB-HT.M16x1,5	M16x1.5	9	22	16.5	8	31	22
59705	TMB.M20x1,5	59755	TMB-HT.M20x1,5	M20x1.5	11	24	18.5	8	34	28
59707	TMB.M26x1,5	59757	TMB-HT.M26x1,5	M26x1.5	11.5	32	20	8	35.5	45
59709	TMB.M27x1,5	59759	TMB-HT.M27x1,5	M27x1.5	11.5	32	20	8	35.5	46
59711	TMB.M33x1,5	59761	TMB-HT.M33x1,5	M33x1.5	11.5	38	20	8	35.5	65
59713	TMB.M40x1,5	59763	TMB-HT.M40x1,5	M40x1.5	13	46	24	8	37	107
59715	TMB.M42x1,5	59765	TMB-HT.M42x1,5	M42x1.5	13	46	24	8	37	110
59717	TMB.M42x2	59767	TMB-HT.M42x2	M42x2	13	46	24	8	37	113
59721	TMB.1/4	59771	TMB-HT.1/4	G 1/4	9	19	16.5	6	30	14
59723	TMB.3/8	59773	TMB-HT.3/8	G 3/8	9	22	16.5	8	31	22
59725	TMB.1/2	59775	TMB-HT.1/2	G 1/2	11	24	18.5	8	34	28
59727	TMB.3/4	59777	TMB-HT.3/4	G 3/4	11.5	32	20	8	35.5	45
59729	TMB.1	59779	TMB-HT.1	G 1	11.5	38	20.5	8	35.5	65
59731	TMB.1 1/4	59781	TMB-HT.1 1/4	G 1 1/4	13	46	24	8	37	107
59733	TMB.1 1/2	59783	TMB-HT.1 1/2	G 1 1/2	13	50	24	8	37	131